



**DYNAMIC FENESTRATION
MANUFACTURES TWO DESIGNS
OF THERMALLY BROKEN
WINDOWS AND DOORS.**

The Reynaers window door system is one of Europe's most established aluminum profile manufacturers and is relatively new to North America.

Dynamic imports the Reynaer profiles directly from Belgium and completes all fabrication, finishing, glass supply as well as installation in select markets.

Dynamic Architectural also manufactures a unique line of narrow profile thermally broken aluminum windows called "Alumin-Arte". The Alumin-Arte shares the same identical narrow profile dimensions, welded corner construction, finishing and hardware as our Steel-Arte windows.



Operable & Fixed Windows SL38

INSWING CASEMENT

- Slim design (narrow profiles)
- Steel-like appearance
- 3 styles available
- Classic, Ferro & Cubic
- Invisible drainage system
- All windows are engineered to project design pressure
- No need for drainage caps
- Finished with AAMA 2605 compliant powder coatings

CLASSIC



CUBIC

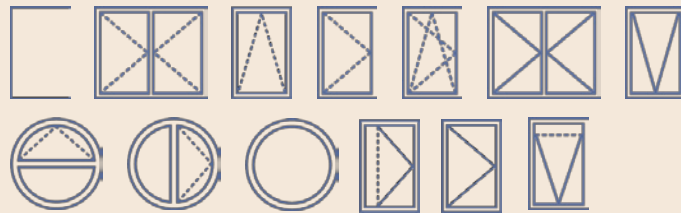


FERRO



DESIGN OPTIONS

Available in a wide variety of configurations

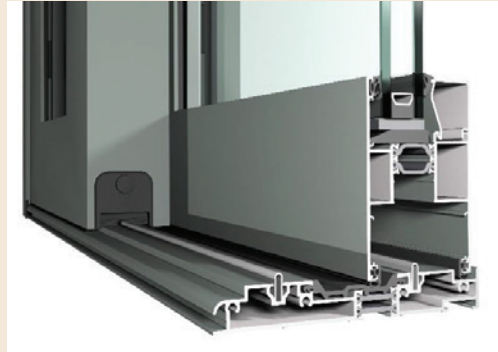


Sliding & Folding Doors

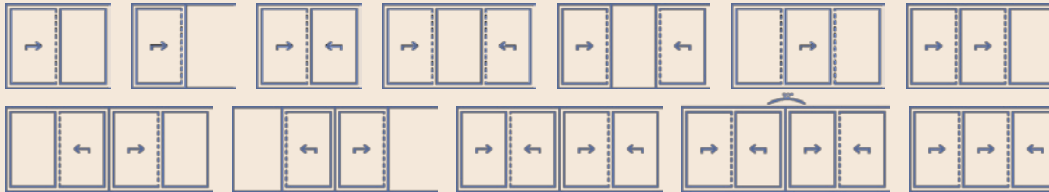
- **CP 130-LS**
Lift and slide
- **CP 155-LS**
Lift and slide (a heavier profile for larger applications)
- **HI-FINITY**
The ideal solution for a framless look
- **CF 77**
The folding door that matches the windows & hinged doors



- Design & functionality
- Lift & slide, monorail, 2-rail, 3-rail...
- Even a 90° post-less corner solution
- Complete range of solutions and sill options
- Compatible with CS systems, Mosquito & Ventalis screens

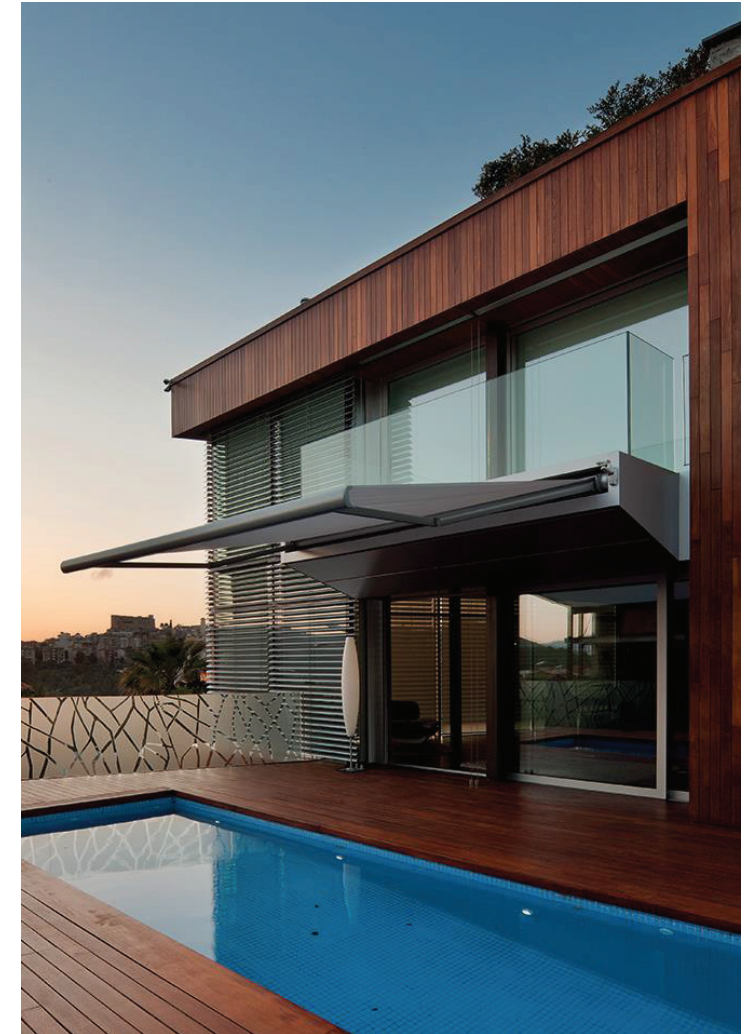


DESIGN OPTIONS



and more...

System depth (fixed)	68 mm	2 5/8"
System depth (opening)	77 mm	3"
Visible height (fixed)	51 mm	2"
Visible height (opening)	89 mm	3 1/2"
Max. height	2900 mm	9' 6"
Max. width	2700 mm	8' 10"
Max. leaf weight	300 kg	660 lbs
Glass thickness	4-63 mm	3/16 - 2 1/2"
Thermal insulation - NFRC	down to 1.42 W/(m ² ·K)	down to 0.25 Btu/(h·ft ² ·°F)



	AW PG40
	Water 9 psf / Air 0.06 cfm/sqft
Architectural Performance Class - Test results may vary	



For that optimal
mix of style and
performance

CP 130 IS A SYSTEM
THAT OFFERS A WIDE
RANGE OF DESIGNS,
WHILE STILL ENSURING
HIGH PERFORMANCE.

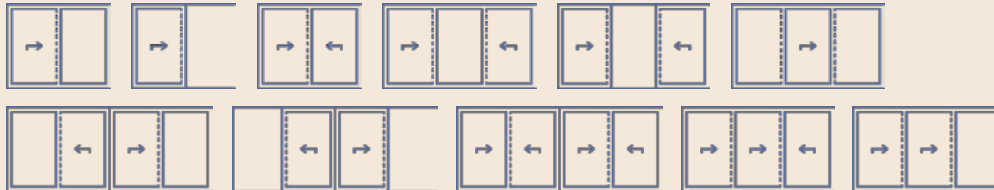


CP 130 SIX LEAF 3-RAIL 90° LIFT & SLIDE SOLUTION

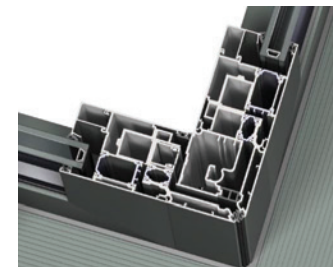
- Design & functionality
- Lift & slide, monorail, 2-rail, 3-rail...
- Even a 90° post-less corner solution
- Complete range of solutions, sill, and performance options
- Compatible with CS & Ventalis screens



DESIGN OPTIONS



System depth	155 mm	6 1/4"
Visible height (threshold)	60 mm	2 3/8"
Visible height (vent)	102 mm	4"
Max. height	3500 mm	10'
Max. width	2700 mm	9'
Max. weight / vent	400 kg	880 lbs
Glass thickness	6 - 60 mm	1/4" - 2 3/8"
Thermal insulation - NFRC	down to 1.58 W/(m ² ·K)	down to 0.28 Btu/(h·ft ² ·°F)



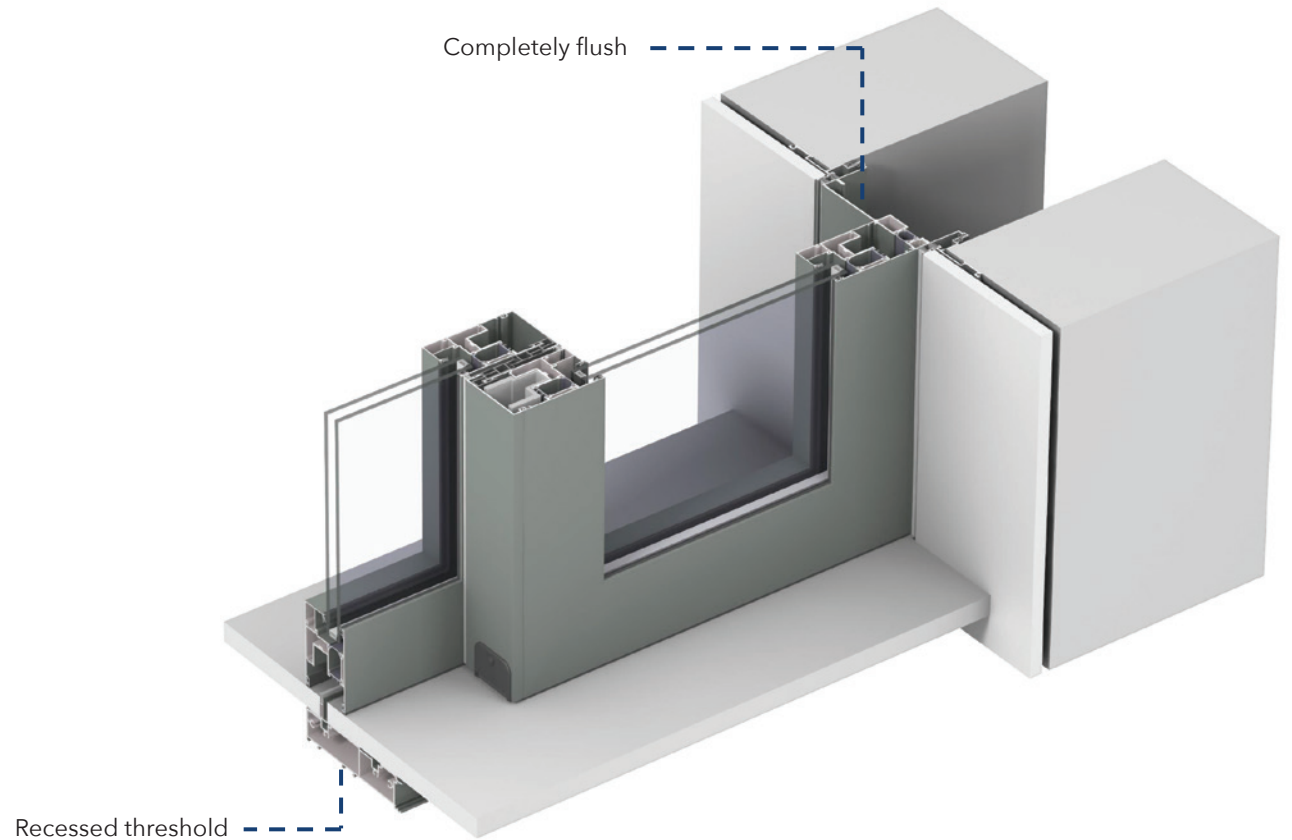
	LC PG40
	Water 4.6 psf / Air 0.15 cfm/sqft
Light Commercial Performance Class - Test results may vary	



Unmatched Design & Performance Flexibility in Aluminum

Not interested
in visible
profiles?

- **Pocket solutions**
Doors integrate into the wall,
disappears when in open
position
- **Recessed threshold**
Only rail is visible, making for a
handicap solution
- **Unlimited number of
doors for grand openings**
Clip-on profiles allow for any
number of doors



Create Sliding Walls with Oversized Multi-panel Combinations

Performance
without
Compromise

ONE OF THE TOP
QUALITY SYSTEMS ON
THE MARKET, CP 155
OFFERS THE BEST OF
THE BEST IN
PERFORMANCE.

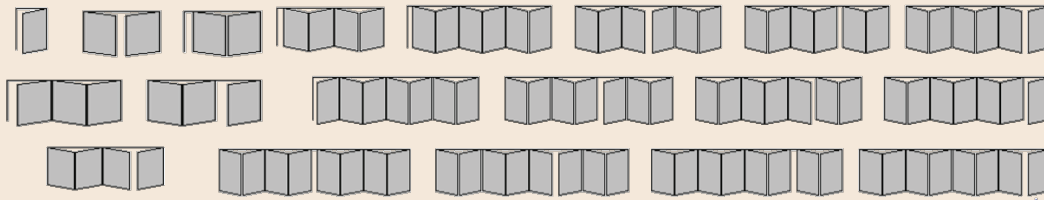


CP 155 4-LEAF LIFT & SLIDE SOLUTION

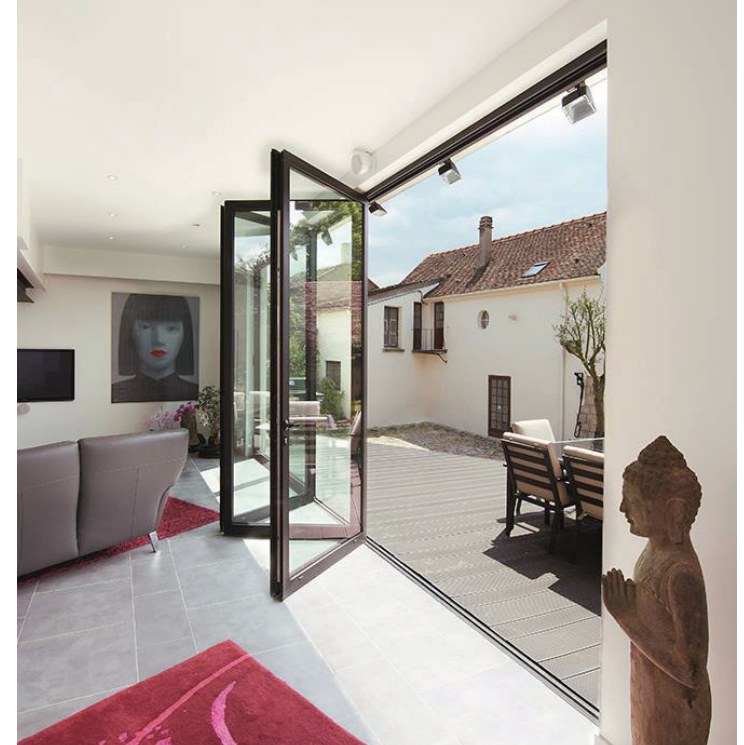
- Design & functionality
- Lift & slide, monorail, 2-rail, 3-rail...
- Up to 8 panels in one direction ... even a 90° post-less corner "in development"
- Wide range of solutions with hinging flexibility
- Compatible with other Reynaers profiles
- Tested thermal performance (NFRC rated)



DESIGN OPTIONS



Style variants	FLAT DESIGN		SLIM LINE	
	Visible height (threshold)	60 mm	2 3/8"	60 mm
Visible height (vent)	144 mm	5 3/4"	122 mm	4 3/4"
Max. height / leaf	3000 mm	10 ft	3000 mm	10 ft
Max. width / leaf	1200 mm	4 ft	1200 mm	4 ft
Max. weight / vent	120 kg	260 lbs	120 kg	260 lbs
Glass thickness	up to 61 mm		up to 2 3/8"	
Thermal insulation - NFRC	down to 1.47 W/(m²·K)		down to 0.26 Btu/(h·ft²·°F)	

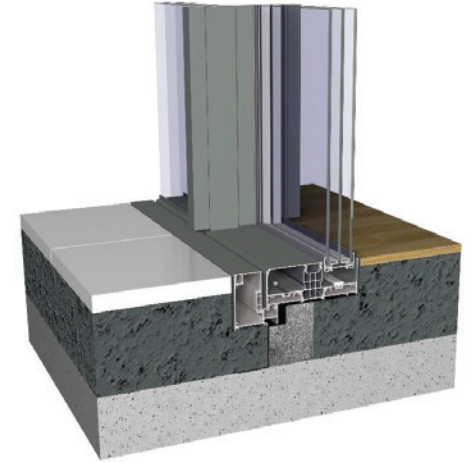


	PG55
	Water 8 psf / Air 0.10 cfm/sqft
Test results may vary depending on threshold	

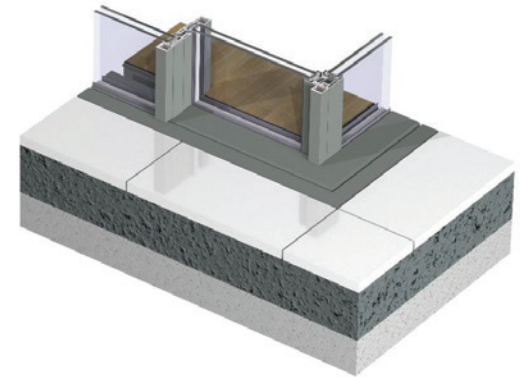


The Frameless Sliding Door Solution

HI FINITY LIFT & SLIDE



INVISIBLE FRAME



POSTLESS OPENING CORNER

HI FINITY

Design: Fade the boundaries

FLOOR-TO-FLOOR AND WALL-TO-WALL DIMENSIONS

The strength of the system shows off when complete walls are covered with the system. Frames disappear behind ceiling, floors and side walls.

WEIGHTS

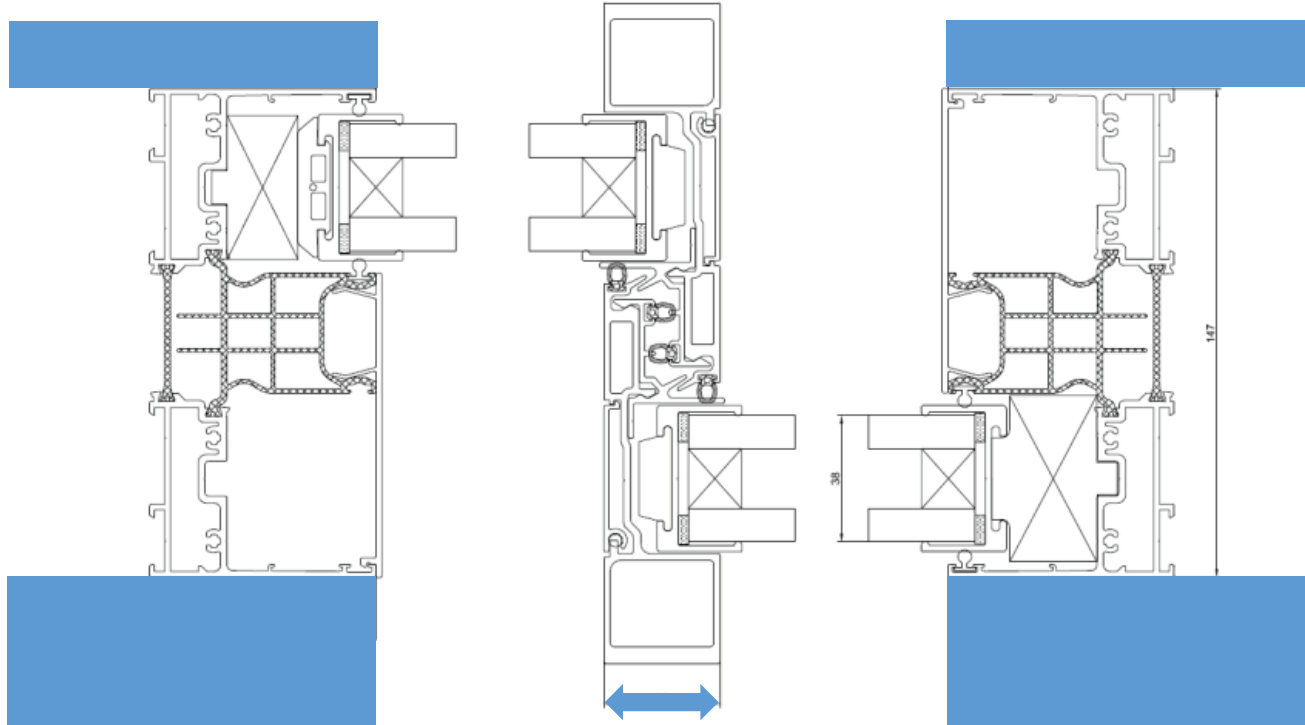
The door is designed to carry door leafs up to 1200lbs. For double glass (5/8" / 5/8" / 1/2"), this means that you can cover over 100ft² per leaf.

HEIGHTS

Tested up to 11 1/2 ft in height.



Minimal frame, maximum glass



1 3/8"

HI
FINITY

Hi-Finity

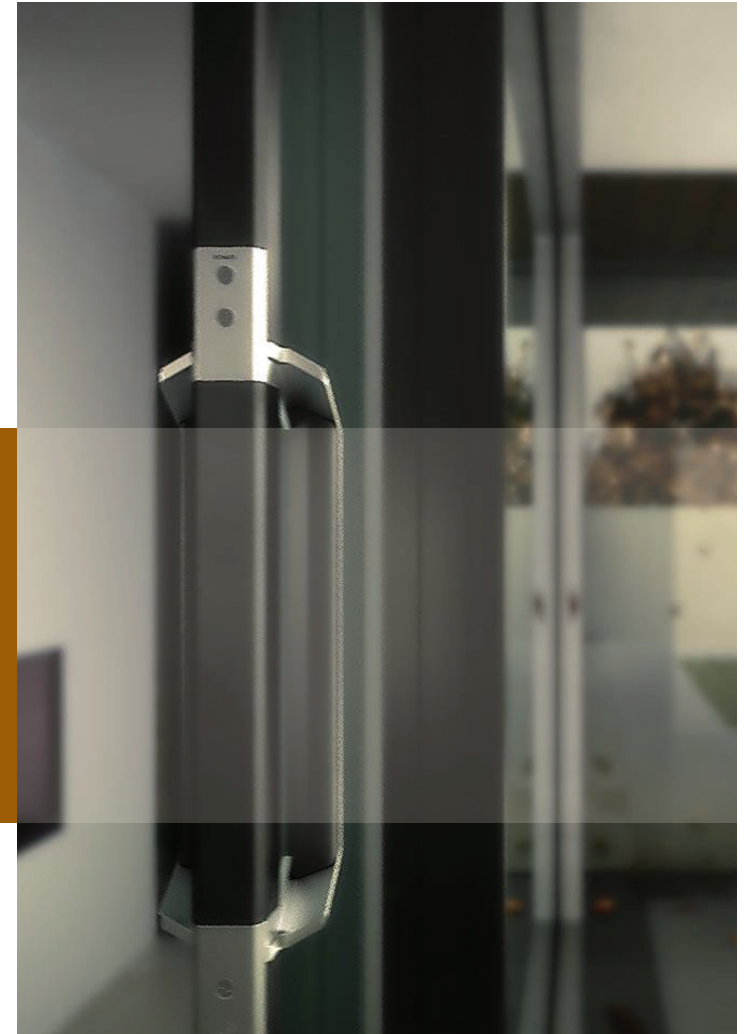
ULTIMATE PERFORMANCE WITH MONUMENTAL SIZE AND MINIMAL FRAME

- High performance
- Minimalistic design
- Monumental size availability
- Integrated design – you pay for what you don't see
- Average U-value of 0.33 double glazed & 0.23 triple glazed, NFRC certified
- Comes with annealed laminated safety glass
- Providing superior clarity over toughened units (no roller wave distortion)
- Internal electric locking mechanism



The Infinite View

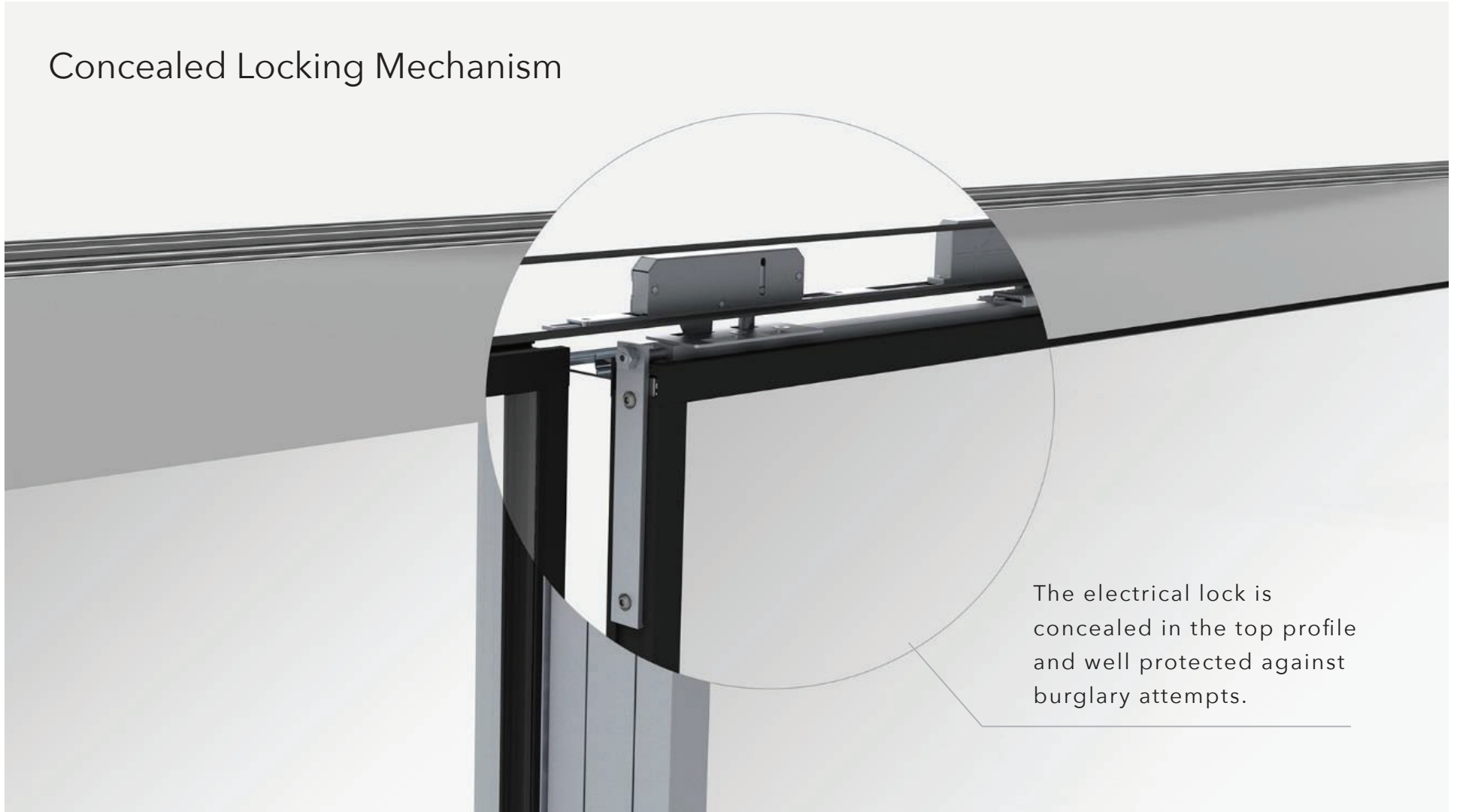
Enjoy an infinite view with ultimate performances. The ultra-slim design of the Hi-Finity® sliding door creates large transparent surfaces, with a light, sleek and elegant appearance.



	CW PG30
	Water 8 psf / Air 0.075 cfm/sqft
Commercial Performance Class - Test results may vary	

	STC - 45
	OITC - 37
E90-09 / 1332	
Test results vary depending on glass type	

Concealed Locking Mechanism



Alumin-Arte

THERMALLY BROKEN ALUMINUM WINDOWS

The popularity and market acceptance of the narrow thermally broken Steel-Arte window and door line has been exceptional. While the demand continues to build, it's clear to us that the cost of our mild Steel is sometimes beyond the project budget. The design of the thin narrow profiles, the smooth welded corners and options like the contemporary appearance of the "L"

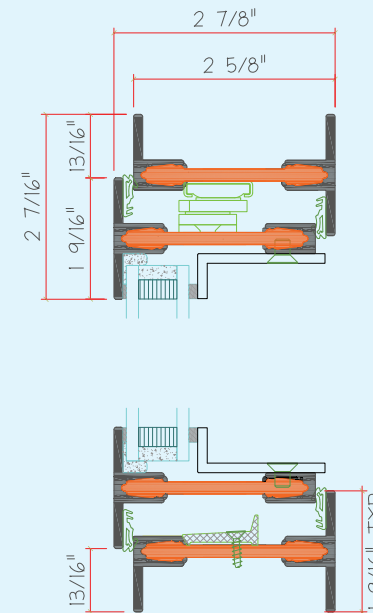
glazing stop is not available from any of the traditional aluminum window suppliers.

To address this specific market demand, Dynamic is pleased to introduce a new line of thermally broken Aluminum windows called Alumin-Arte.

Here are a few of the design highlights:



- Alumin-Arte has the identical face dimensions as the Steel-Arte window & door line.
- The welded and ground corners capture the same aesthetic of the steel-arte while providing the additional strength.
- Thermal performance is not compromised with a 1 5/8" glass composite thermal break, very similar to the Steel-Arte.
- The frame is 1/4" deeper than Steel-Arte to accommodate additional combinations of the triple glazing.
- Alumin-Arte will be powder coated using the same semi-gloss or textured powder coated finishes available with the Steel-Arte. The powder coat is AAMA 2605 compliant, the benchmark of high performance finishes.
- The hardware availability will be the same as the Steel-Arte with a wide selection of handle options.
- The casement will be an outswing design and will essentially replicate the Arte look in all ways. The window is also available in a direct glazed frame with no sash when a very narrow profile is desired.
- The Alumin-Arte will have smaller maximum size limitations as aluminum is not as strong as steel, however the two window lines could be mixed.
- The Alumin-Arte will have NFRC certification like all Dynamic product lines.



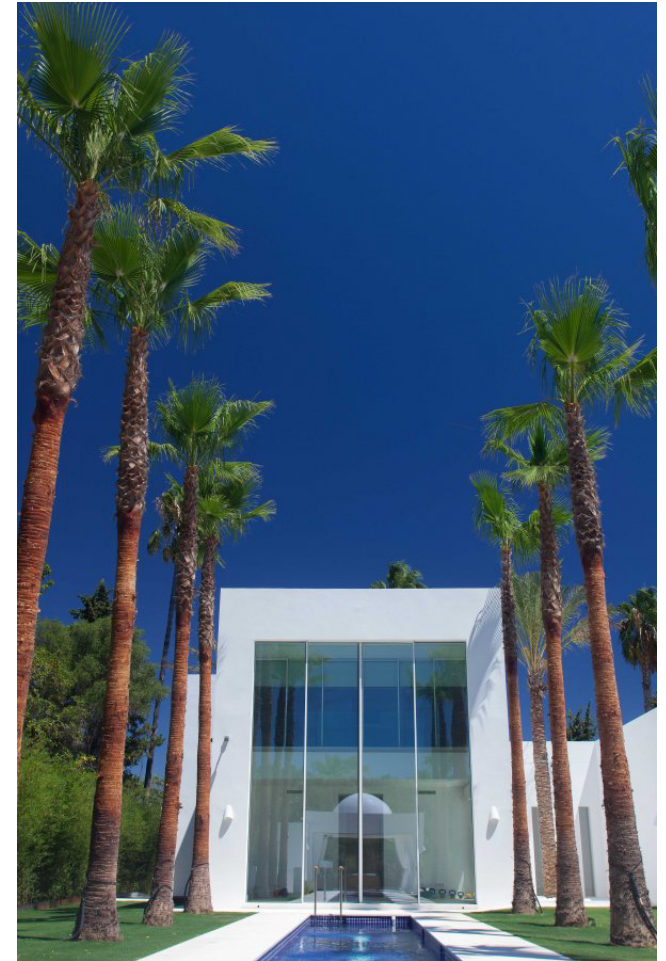
A LUMIN-*Arte*®

Why Choose Dynamic Thermally Broken Aluminum

You may be familiar with Reynaers aluminum windows and doors as a high-end European thermally broken aluminum system that is currently available through a “mark up and re-sell” dealer network in a limited number of North American cities.

Dynamic is doing things differently than the traditional dealer business model. As an Original Equipment Manufacturer, Dynamic will by-pass the distributor cost base by purchasing profiles

and accessories in container shipments direct from the parent company in Belgium. Dynamic will complete all of the fabrication in our factory, including finishing, glass supply and installation in select markets. Given our experience with thermally broken steel fabrication, we know the factory direct business model delivers the highest overall value to both the architect and builder with clear and consistent communication from initial quote to final delivery. There are several advantages to the Dynamic business model:



Call toll free to 1.800.661.8111 or email connect@dynamicfenestration.com for assistance.

- You will be dealing with the fabricator (Dynamic) directly, just like our wood and steel products, by-passing the traditional third party dealers while working with well trained Dynamic factory representatives.
- Dealing factory direct allows for streamlined communication with concise and timely responses to detail, technical and application questions.
- With Dynamic’s 25 year history of custom manufacturing, we can offer greater design flexibility in both complexity of configurations, finishes and sizes.

- As a result of our factory direct approach, we’re able to offer an advanced aluminum system priced competitively from a proven manufacturer with systems in place to ensure complete and timely deliveries, installation and after sale service.
- Both Dynamic aluminum window lines offer tested performance, superior thermal qualities and unmatched custom capabilities.

Ask about our “Design-Assist” service . We can provide technical assistance, 3rd party engineering and advice on all of the variables early in the design process.

We believe our thermally broken aluminum solutions offer a superior aluminum system with a competitive price point, complementary designs in steel and wood and supported by an effective,

proven business model. In short, it is the best value option when thermally broken aluminum is the specification.