

CUSTOM FABRICATED METAL PRODUCTS

ARTE SYSTEM COMPARISONS

HINGED DOORS & WINDOWS

STEEL-ARTE | ALUMIN-ARTE | BRONZE-ARTE



MANHATTAN | GREENWICH | BOSTON | SAN FRANCISCO | LOS ANGELES | VANCOUVER | MEXICO | ASPEN | THE HAMPTONS

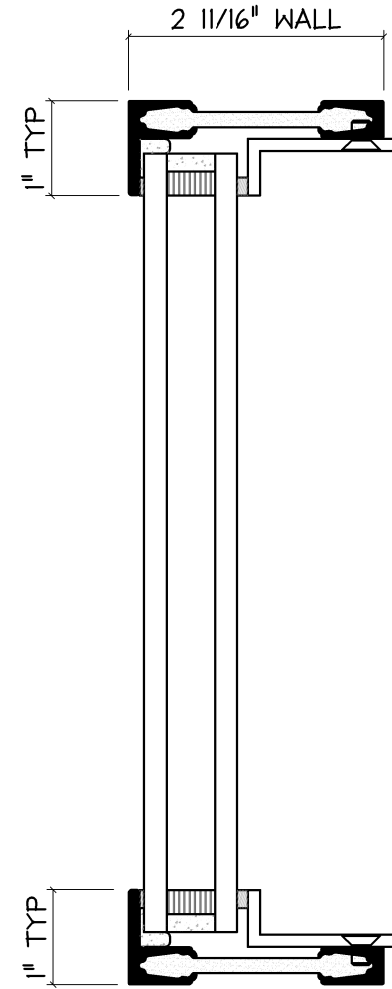
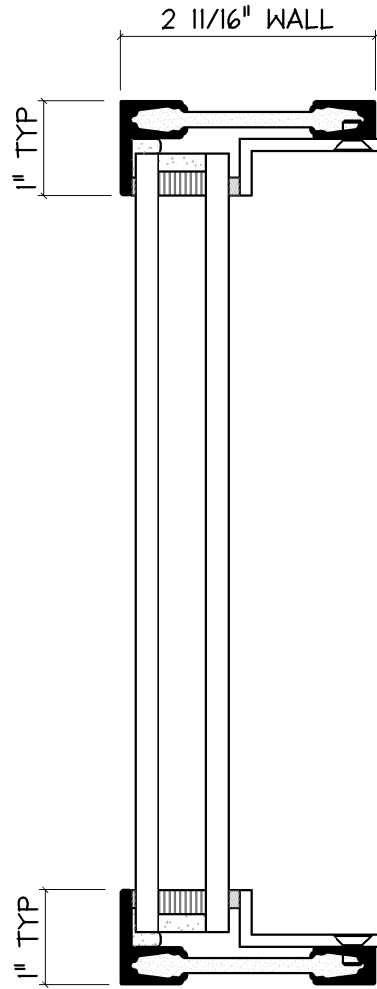
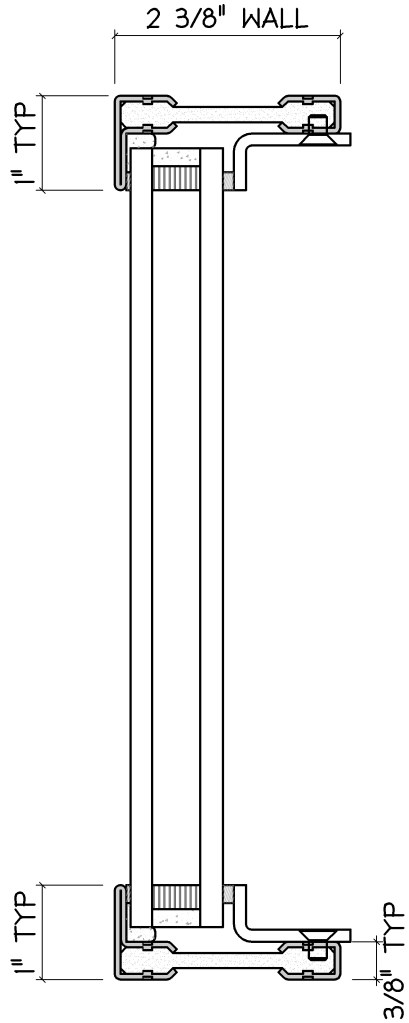
DIRECT GLAZED WINDOWS

S-001

STEEL-*Arte*[®]

ALUMIN-*Arte*[®]

BRONZE-*Arte*[®]



All shop drawings and copies thereof remain the exclusive property of Dynamic Windows & Doors Inc. Copyright © 2016 All rights reserved.

APPROVED FOR MANUFACTURE

X

Eclipse Version: 4.33.118 Sections Version: 14.14075

Q3



REF. # : W604465 (SECTION 001)
 PROJECT : ARTE LINE COMPARISONS
 CUSTOMER : DYNAMIC WINDOWS
 LINE : 1

DATE : OCT 13, 2016
 SALESMAN : GENERAL SALES

SCALE : 1/2" = 1"

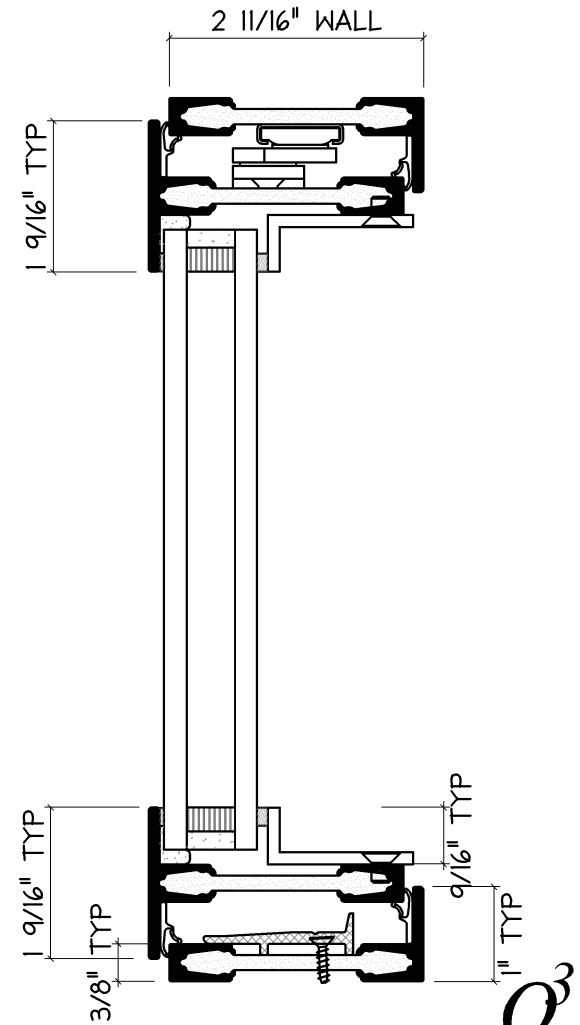
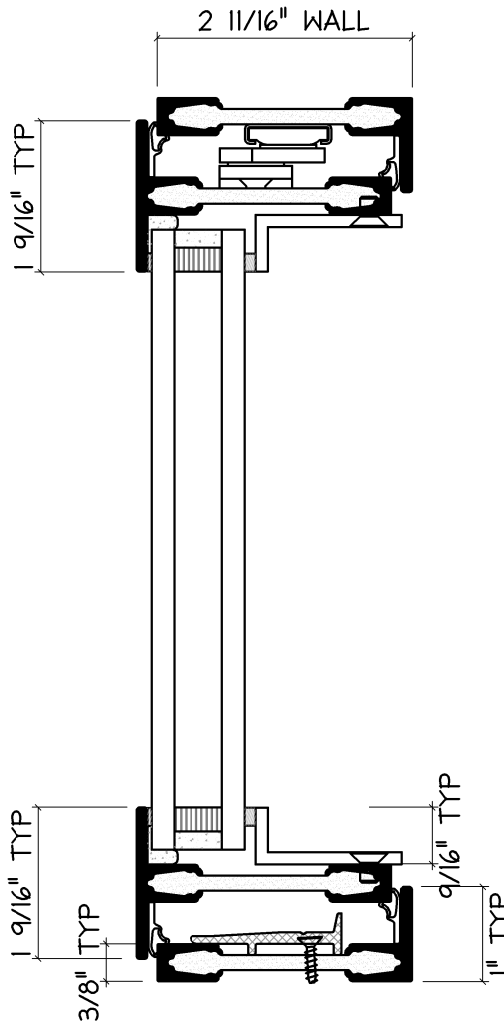
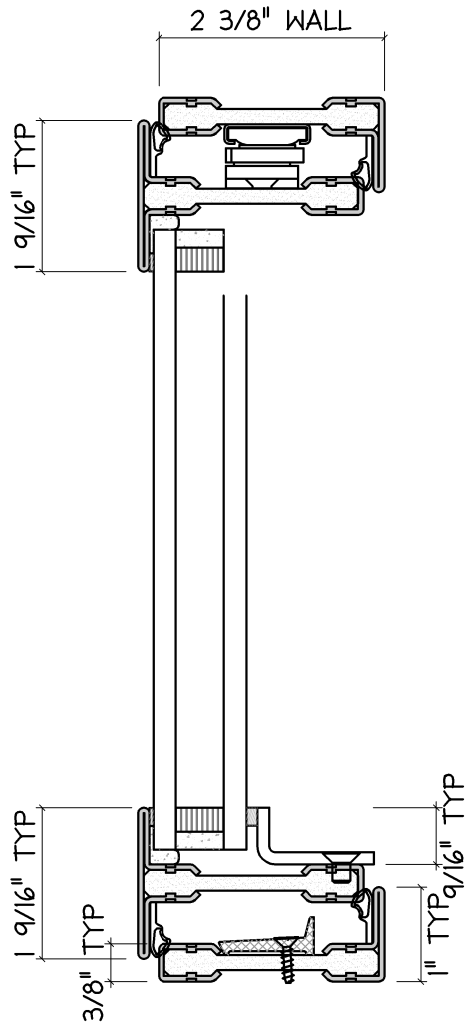
STANDARD SIZED CASEMENT WINDOWS

S-002

STEEL-*Arte*[®]

ALUMIN-*Arte*[®]

BRONZE-*Arte*[®]



All shop drawings and copies thereof remain the exclusive property of Dynamic Windows & Doors Inc. Copyright © 2016 All rights reserved.

APPROVED FOR MANUFACTURE

Eclipse Version: 4.33.118 Sections Version: 14.14075

X



REF. # : W604465 (SECTION 002)
 PROJECT : ARTE LINE COMPARISONS
 CUSTOMER : DYNAMIC WINDOWS
 LINE : 2

DATE : OCT 13, 2016
 SALESMAN : GENERAL SALES

SCALE : 1/2" = 1"

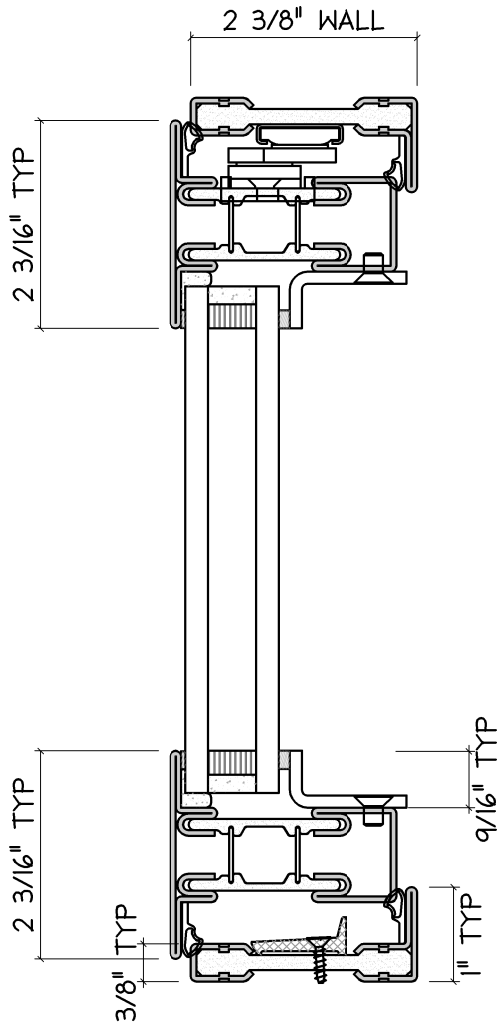
OVERSIZED CASEMENT WINDOWS

5-003

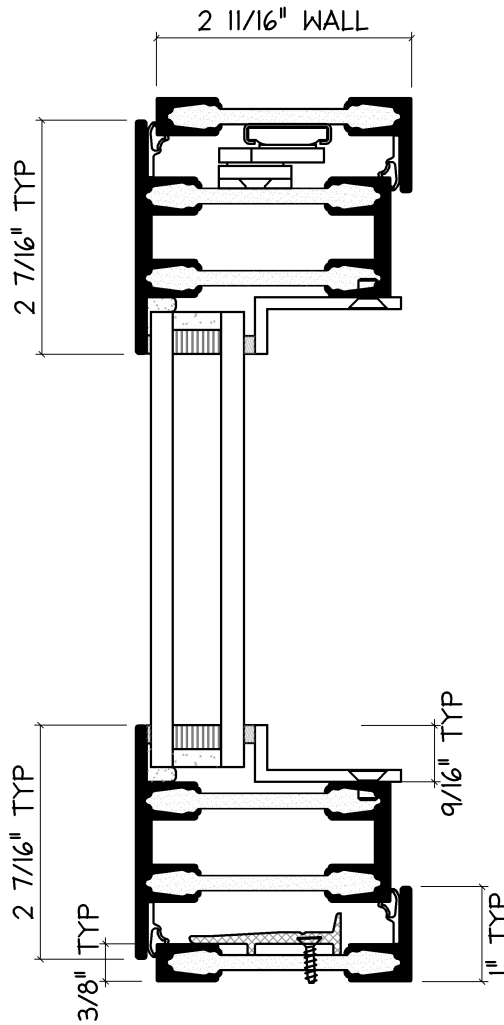
STEEL-*Arte*[®]

ALUMIN-*Arte*[®]

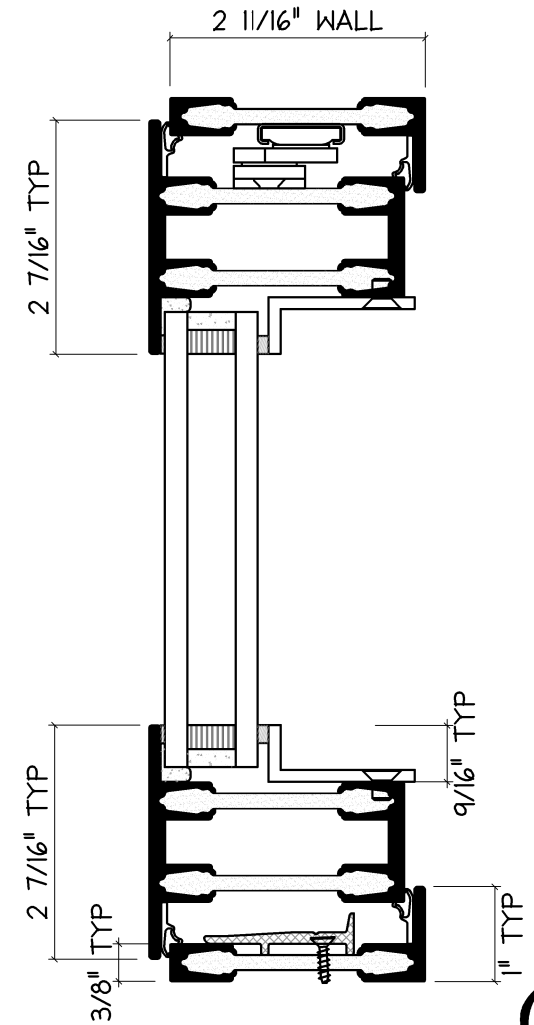
BRONZE-*Arte*[®]



REQUIRED FOR MP HARDWARE



REQUIRED FOR MP HARDWARE



All shop drawings and copies thereof remain the exclusive property of Dynamic Windows & Doors Inc. Copyright © 2016 All rights reserved.

APPROVED FOR MANUFACTURE

X

Eclipse Version: 4.33.118 Sections Version: 14.14075



REF. # : W604465 (SECTION 003)
 PROJECT : ARTE LINE COMPARISONS
 CUSTOMER : DYNAMIC WINDOWS
 LINE : 3

DATE : OCT 13, 2016
 SALESMAN : GENERAL SALES

SCALE : 1/2" = 1"

HINGED DOORS

S-004

STEEL-*Arte*[®]

STEEL-*Arte*[®]

ALUMIN-*Arte*[®]

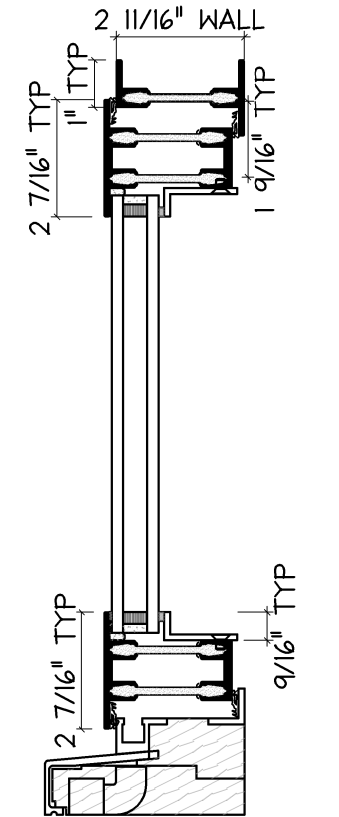
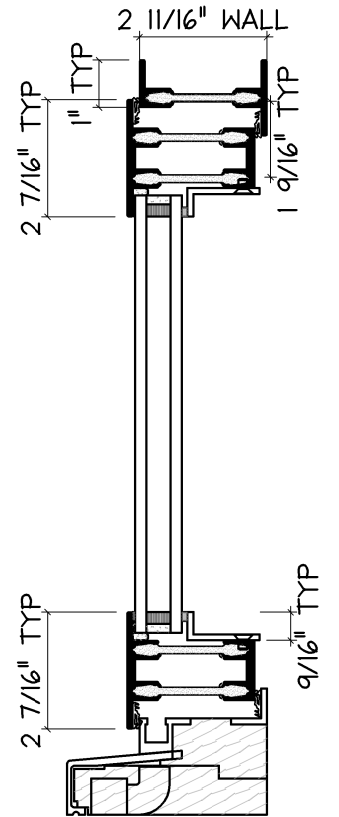
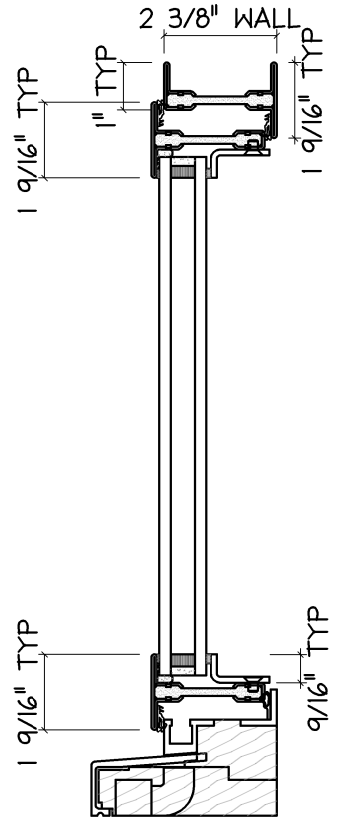
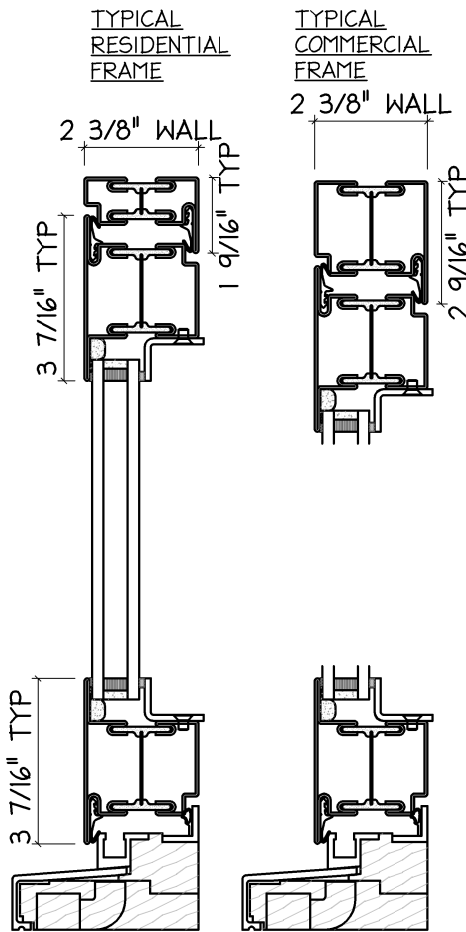
BRONZE-*Arte*[®]

STILE & RAIL DOOR

STEEL-ARTE DOOR

ALUMIN-ARTE DOOR

BRONZE-ARTE DOOR



All shop drawings and copies thereof remain the exclusive property of Dynamic Windows & Doors Inc. Copyright © 2016 All rights reserved.

APPROVED FOR MANUFACTURE

X

Eclipse Version: 4.33.118 Sections Version: 14.14075



REF. # : W604465 (SECTION 004)
 PROJECT : ARTE LINE COMPARISONS
 CUSTOMER : DYNAMIC WINDOWS
 LINE : 4

DATE : OCT 13, 2016
 SALESMAN : GENERAL SALES

SCALE : 1/4" = 1"

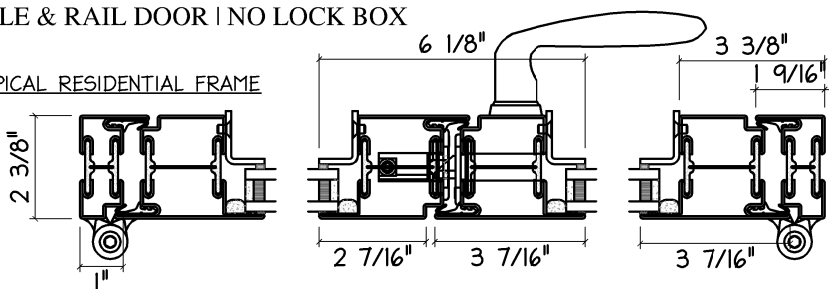
HINGED DOORS

S-005

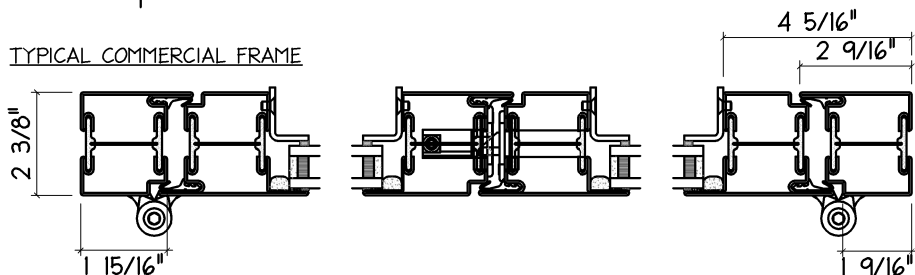
STEEL-*Arte*

STILE & RAIL DOOR | NO LOCK BOX

TYPICAL RESIDENTIAL FRAME

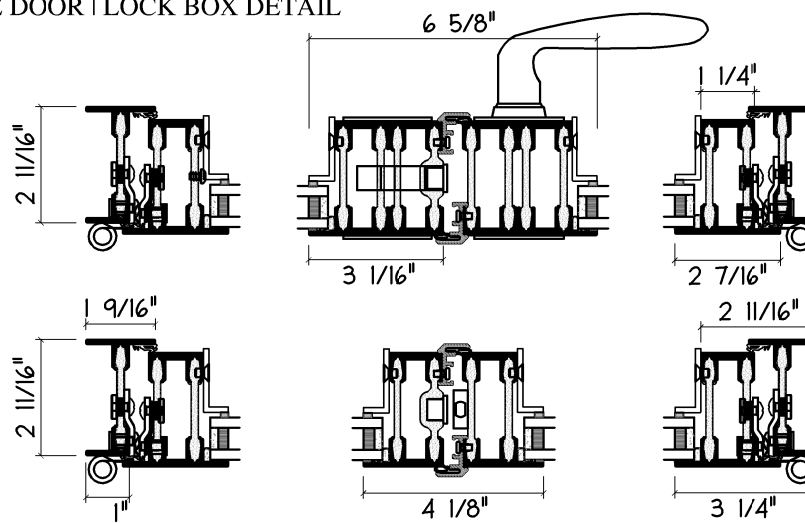


TYPICAL COMMERCIAL FRAME



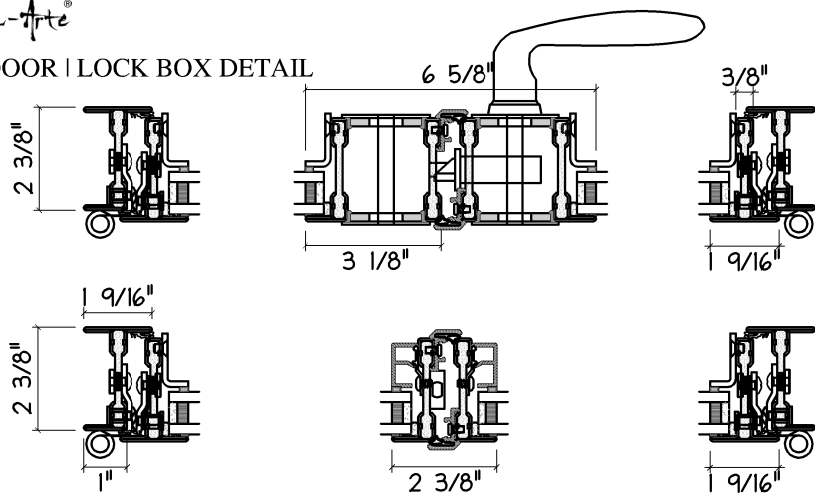
ALUMIN-*Arte*

ARTE DOOR | LOCK BOX DETAIL



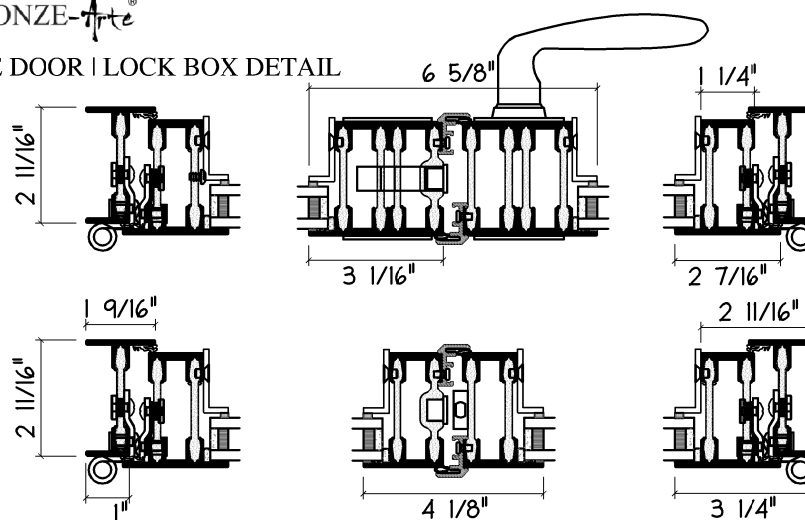
STEEL-*Arte*

ARTE DOOR | LOCK BOX DETAIL



BRONZE-*Arte*

ARTE DOOR | LOCK BOX DETAIL



All shop drawings and copies thereof remain the exclusive property of Dynamic Windows & Doors Inc. Copyright © 2016 All rights reserved.

Eclipse Version: 4.33.118 Sections Version: 14.14075

APPROVED FOR MANUFACTURE

X

Q3



REF. # : W604465 (SECTION 005)
 PROJECT : ARTE LINE COMPARISONS
 CUSTOMER : DYNAMIC WINDOWS
 LINE : 5

DATE : OCT 13, 2016
 SALESMAN : GENERAL SALES

SCALE :

DYNAMIC FENESTRATION

T: 1-800-661-8111

E: connect@dynamicfenestration.com

www.dynamicfenestration.com

[Follow us online for more project photos and design ideas](#)

